

# LED PROFILE UNI12 BCD/U 1000 BLACK ANOD. /PLASTIC BAG



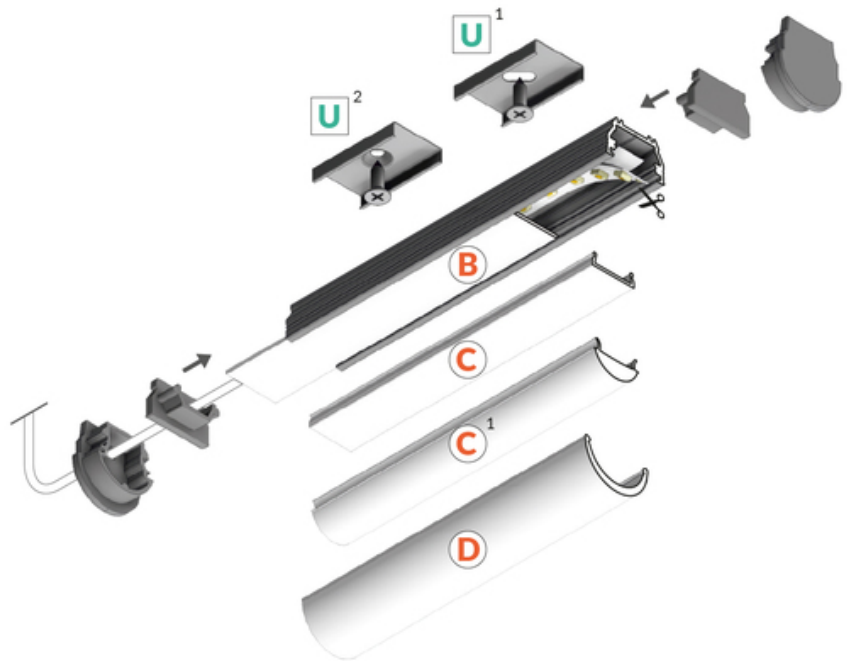
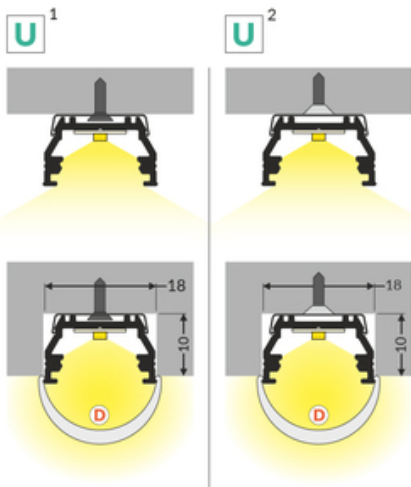
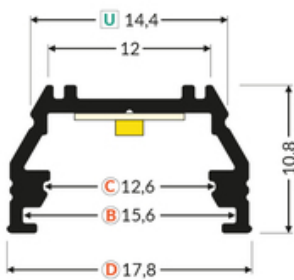
CE

EU industrial designs

Made in Poland



Buy product



TOPMET LIGHT KŁOSOWICZ WIŚNIEWSKI sp. z o.o.

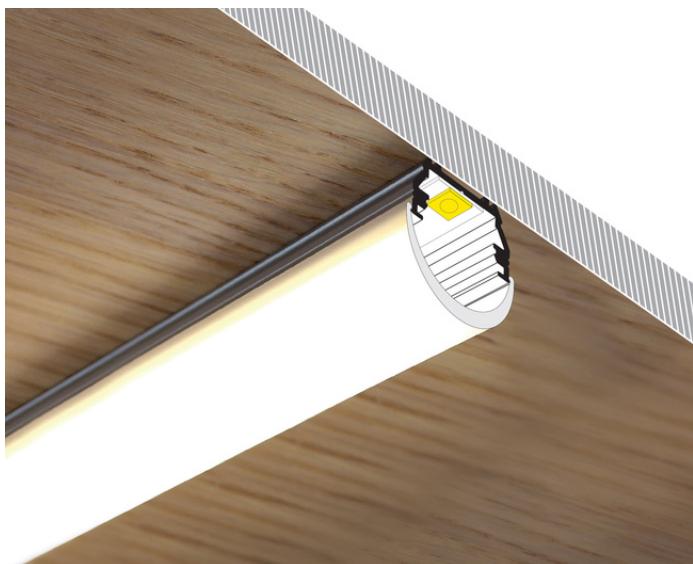
Ostrowska 354 | 61-312 Poznań | POLAND

tel.: +48 61 872 75 00

info@topmet.pl

pdf card generation date: 10.03.2025

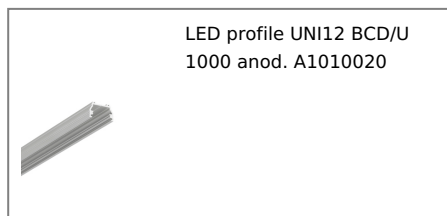
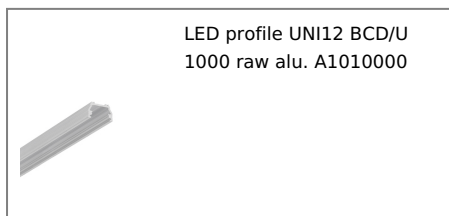




## Basic Informations

EAN: 5901597203582 Index: A1010021 Material: aluminium Color: black anodized Length [mm]: 1000 Weight [kg]: 0.136 Net weight [kg]: 0.018 Country of origin: PL	Measurement unit: qty Product packaging dimensions [mm]: 1000 x 17,8 x 10,8 Bulk packing [qty]: 40 Master packaging type: Carton Product with gross packaging weight [kg]: 5.85
---	---

## AVAILABLE COLORS

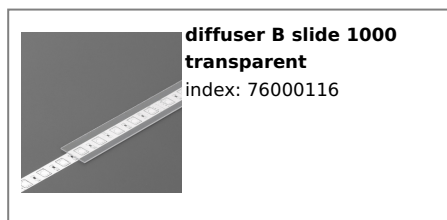
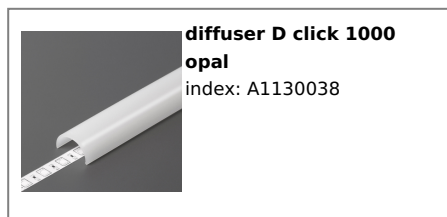
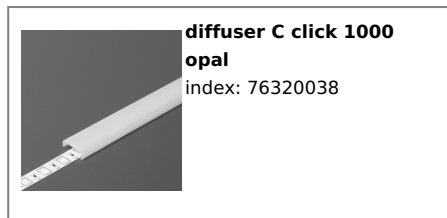


## AVAILABLE VARIANTS

1000 mm, 2000 mm, 3000 mm, 4050 mm

## Matching elements

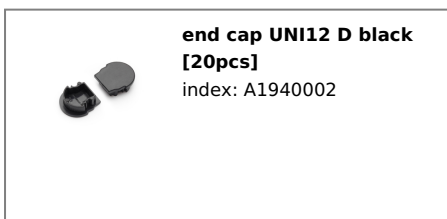
## DIFFUSERS



## MOUNTINGS



## END CAPS





**end cap UNI12 gen2 with  
hole black [20pcs]**  
index: A1890002

---

## CONNECTORS



**connector UNI12 90deg  
black anod. /plastic bag**  
index: A1910021