

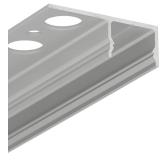
LED PROFILE UNI-TILE12 180DEG C PLUS 1000 ANOD.



Tile in



Architectural



CE



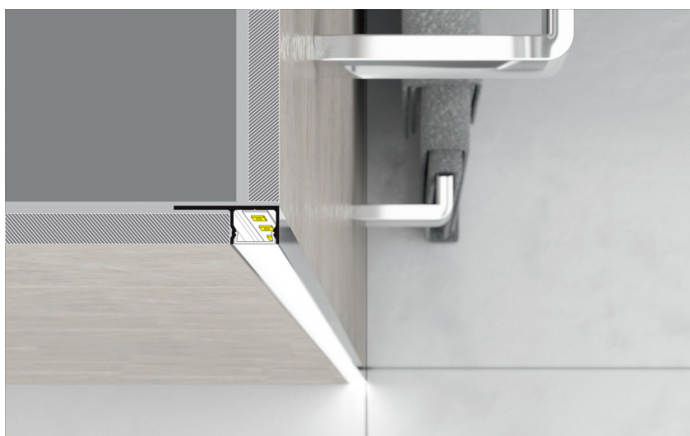
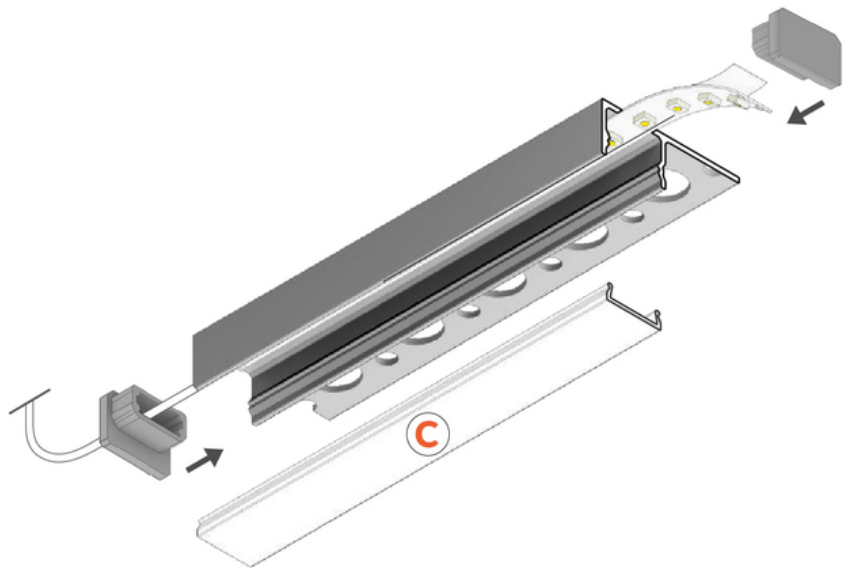
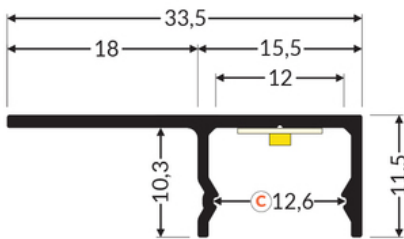
EU industrial designs



Made in Poland



Buy product



Basic Informations

TOPMET LIGHT KŁOSOWICZ WIŚNIEWSKI sp. z o.o.

Ostrowska 354 | 61-312 Poznań | POLAND

tel.: +48 61 872 75 00

info@topmet.pl

pdf card generation date: 07.03.2025



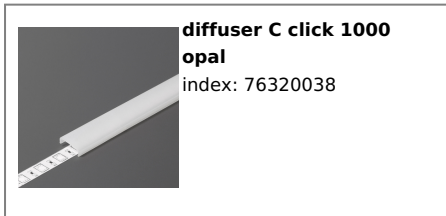
EAN: 5901597260882 Index: G2000520 Material: aluminium Color: anodized Length [mm]: 1000 Weight [kg]: 0.218 Country of origin: PL	Measurement unit: qty Product packaging dimensions [mm]: 1000 x 33,5 x 11,5 Bulk packing [qty]: 40 Master packaging type: Bulk Product with gross packaging weight [kg]: 8.72
---	---

AVAILABLE VARIANTS

1000 mm, 2000 mm, 3000 mm, 4050 mm

Matching elements

DIFFUSERS



END CAPS

