






LED PROFILE UP-TILE10 A 2000 ANOD.

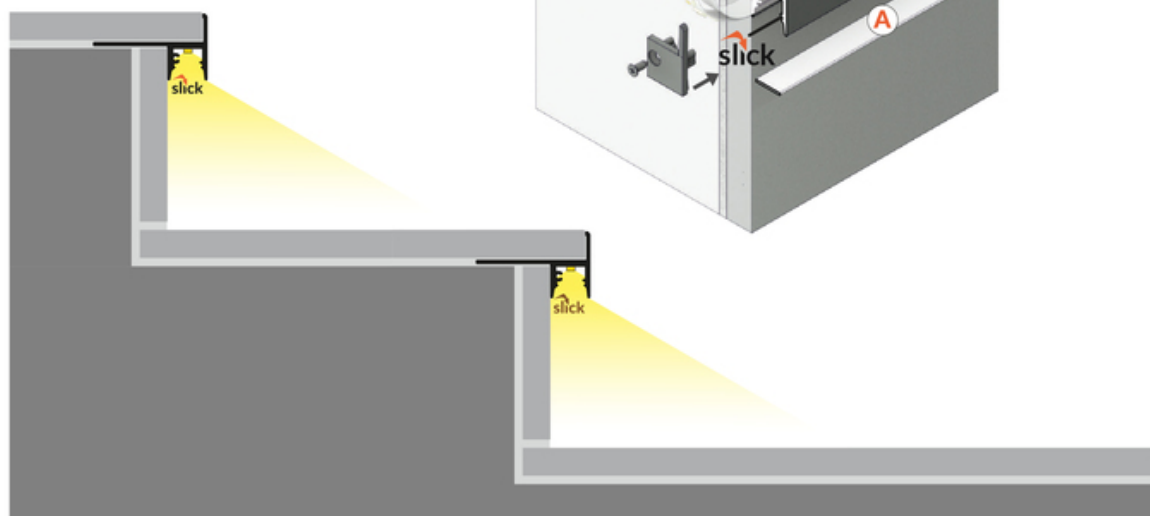
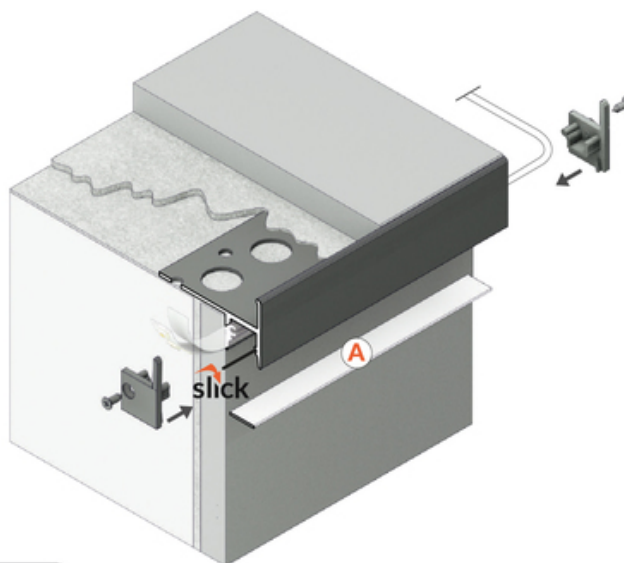
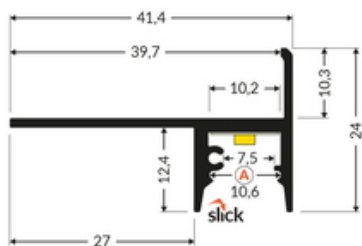


Tile in



Architectural

	<ul style="list-style-type: none">• for the illumination of steps and their edges• mounting in tiles• elegant and compact (one-piece)• without any glare effect• versatile - for places with different levels of movement• Slick socket	 EU industrial designs  CE  Made in Poland	 Buy product
---	--	---	--



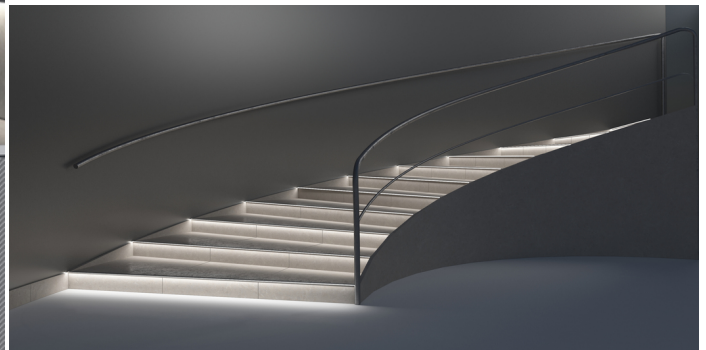
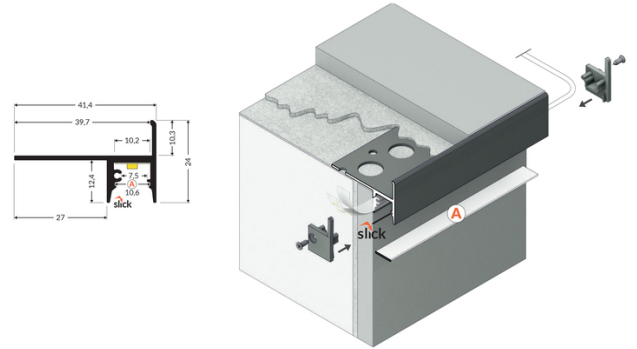
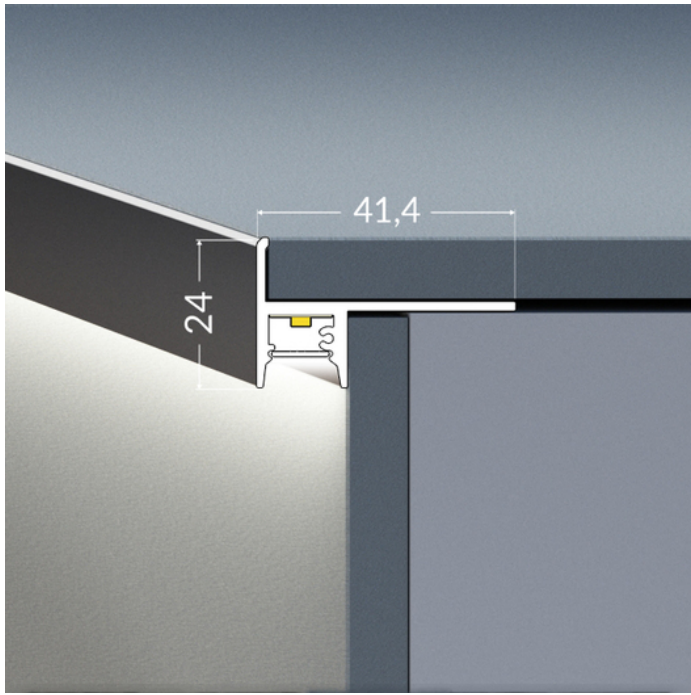
TOPMET LIGHT KŁOSOWICZ WIŚNIEWSKI sp. z o.o.

Ostrowska 354 | 61-312 Poznań | POLAND

tel.: +48 61 872 75 00

info@topmet.pl

pdf card generation date: 10.03.2025



Basic Informations

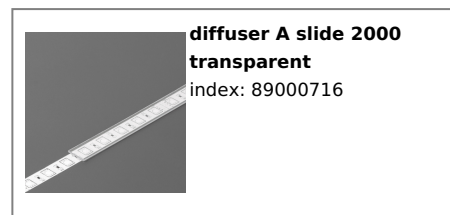
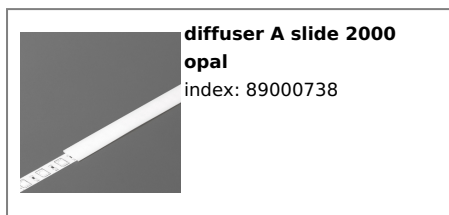
EAN: 5901597223931 Index: J8000220 Material: aluminium Color: anodized Length [mm]: 2000 Weight [kg]: 0.646 Country of origin: PL	Measurement unit: qty Product packaging dimensions [mm]: 2000 x 24 x 41,4 Bulk packing [qty]: 10 Master packaging type: Bulk Product with gross packaging weight [kg]: 6.46
---	---

AVAILABLE VARIANTS

1000 mm, 2000 mm, 3000 mm, 4050 mm

Matching elements

DIFFUSERS



END CAPS

