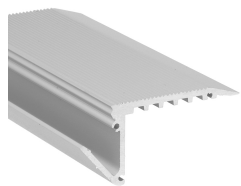


# LED PROFILE UP-BOLD12 K 2000 ANOD.



Architectural



- for accentuating step edges
- simple, reinforced profile design (one-piece)
- reinforced K shade
- for use in areas with increased levels of movement (e.g. cinemas, theatres, etc.)
- good light diffusion (even with 60 P/m strip)



EU industrial designs



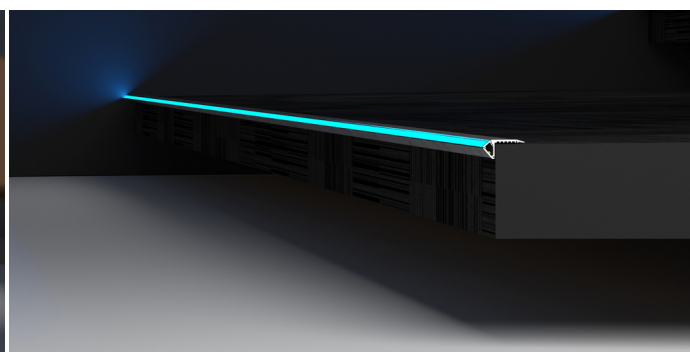
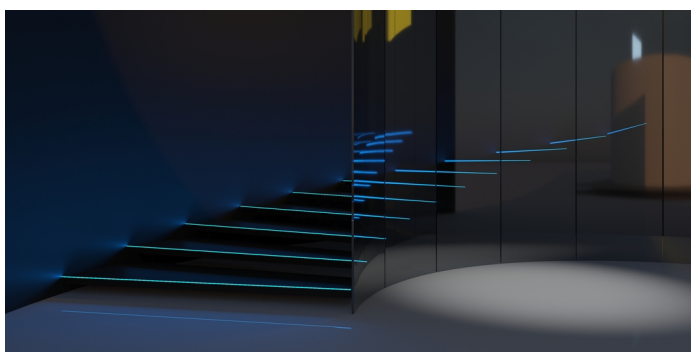
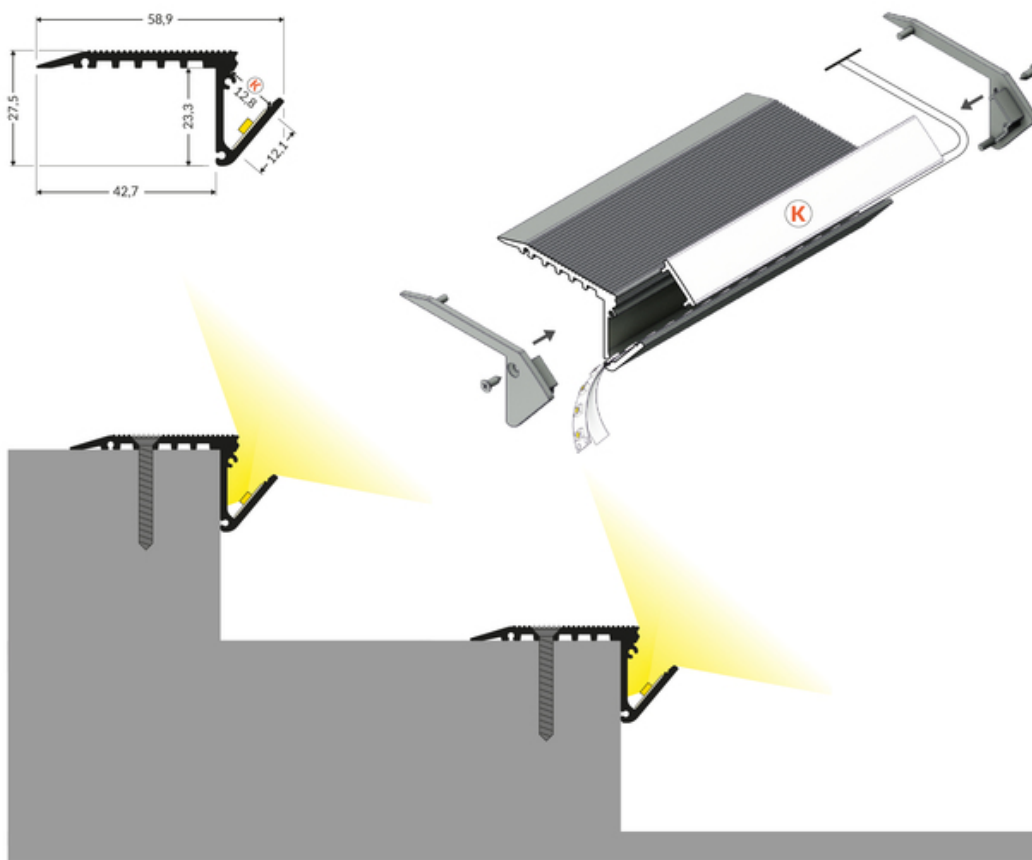
CE



Made in Poland



Buy product



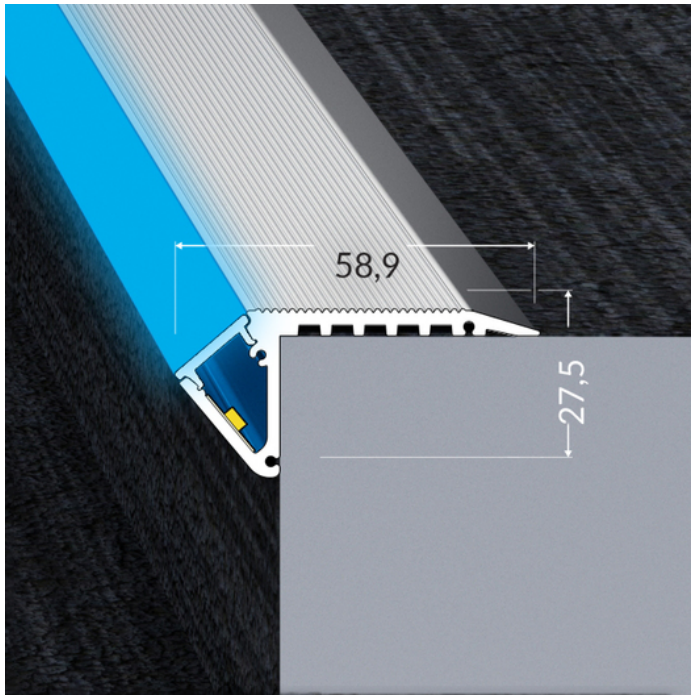
**TOPMET LIGHT KŁOSOWICZ WIŚNIEWSKI sp. z o.o.**

Ostrowska 354 | 61-312 Poznań | POLAND

tel.: +48 61 872 75 00

info@topmet.pl

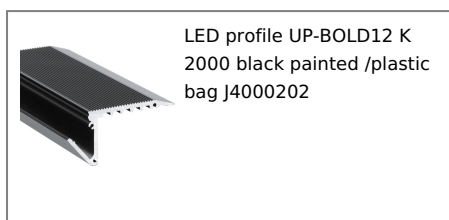
pdf card generation date: 10.03.2025



## Basic Informations

EAN: 5901597224174 Index: J4000220 Material: aluminium Color: anodized Length [mm]: 2000 Weight [kg]: 1.156 Country of origin: PL	Measurement unit: qty Product packaging dimensions [mm]: 2000 x 58,9 x 27,5 Bulk packing [qty]: 10 Master packaging type: Bulk Product with gross packaging weight [kg]: 11.56
-----------------------------------------------------------------------------------------------------------------------------------------------------	--------------------------------------------------------------------------------------------------------------------------------------------------------------------------------------------

## AVAILABLE COLORS



## AVAILABLE VARIANTS

1000 mm, 2000 mm, 3000 mm, 4050 mm

---

## Matching elements

---

## DIFFUSERS



## END CAPS

---

**TOPMET LIGHT KŁOSOWICZ WIŚNIEWSKI sp. z o.o.**

Ostrowska 354 | 61-312 Poznań | POLAND

tel.: +48 61 872 75 00

info@topmet.pl

pdf card generation date: 10.03.2025



**end cap UP-BOLD12  
silver [20pcs]**  
index: J4999940



**end cap UP-BOLD12 grey  
[20pcs]**  
index: J4999922