






COMPLEMENTARY PROFILE SKIRT10 1000 ANOD.

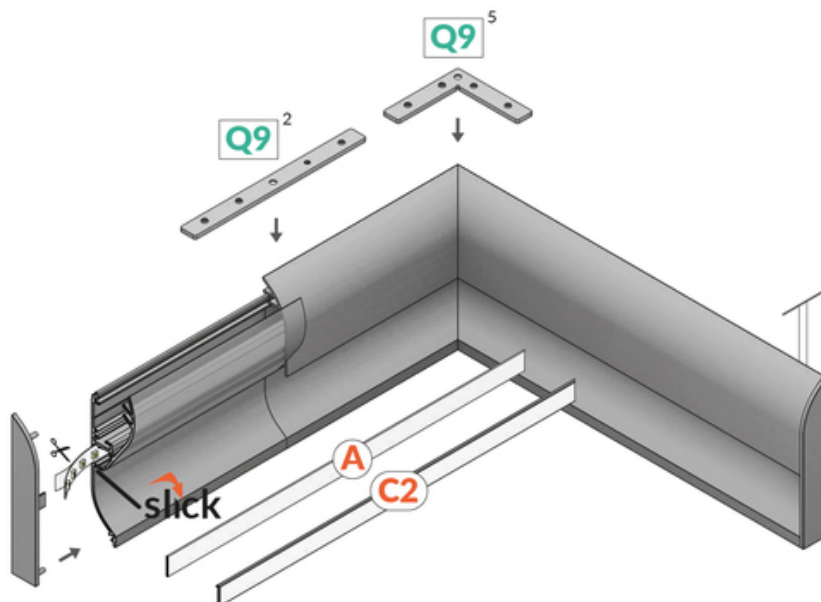
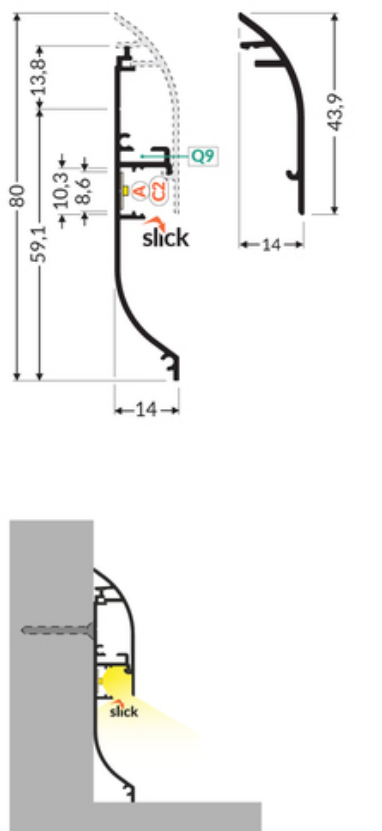


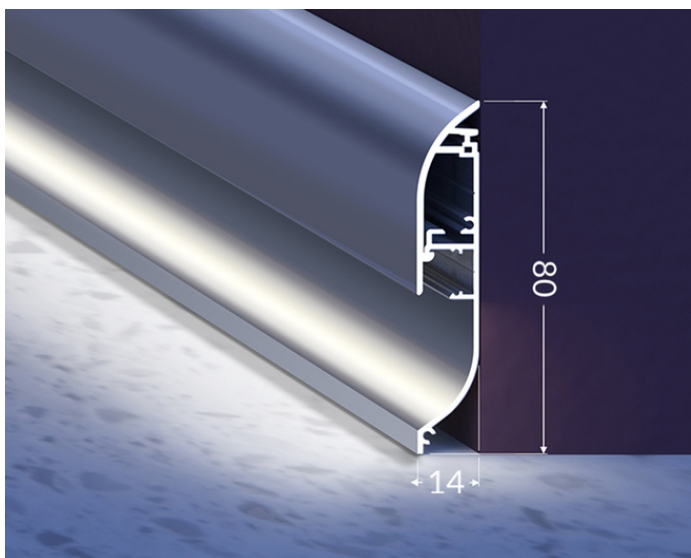
Architectural



max 10 mm

	<ul style="list-style-type: none"> • elegant and robust skirting board for LED strips • soft glow with a 60 P/m LED strip • optimum light effect with a matt floor or carpet • convenient installation • space for concealing wires 	<ul style="list-style-type: none">  EU industrial designs  CE  Made in Poland 	 <p>Buy product</p>
---	--	---	--

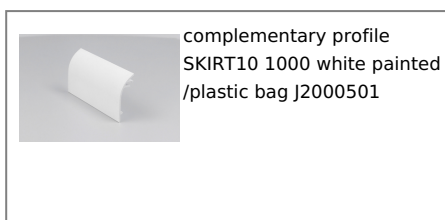
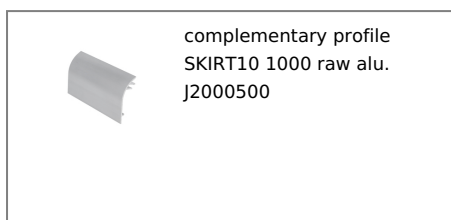




Basic Informations

EAN: 5901597288749 Index: J2000520 Material: aluminium Color: anodized Length [mm]: 1000 Weight [kg]: 0.196 Country of origin: PL	Measurement unit: qty Product packaging dimensions [mm]: 1000 x 14 x 43,9 Bulk packing [qty]: 20 Master packaging type: Bulk Product with gross packaging weight [kg]: 3.92
---	---

AVAILABLE COLORS



AVAILABLE VARIANTS

1000 mm, 2000 mm, 3000 mm, 4050 mm

Matching elements
