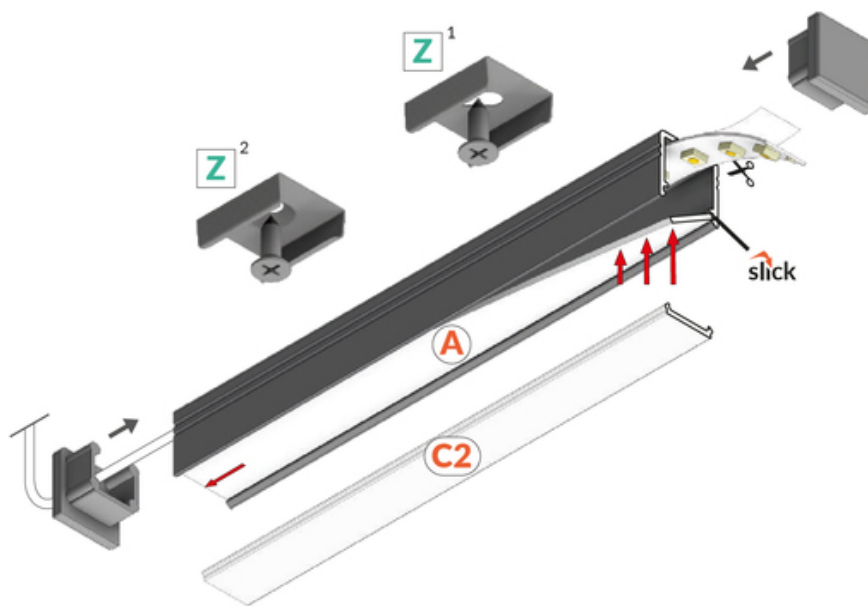
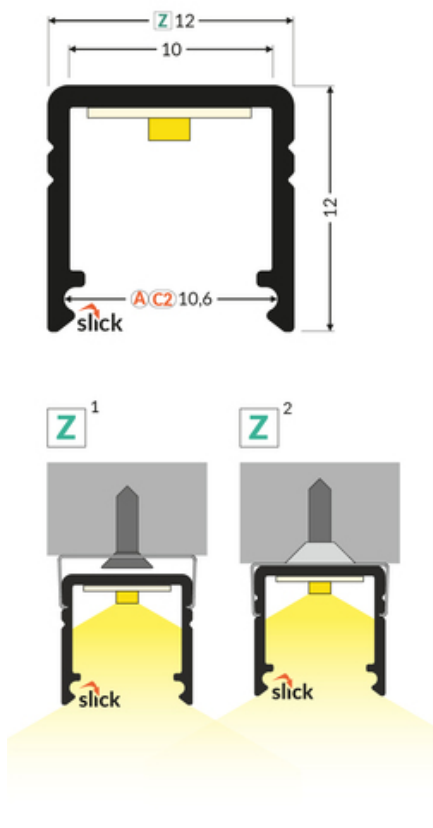
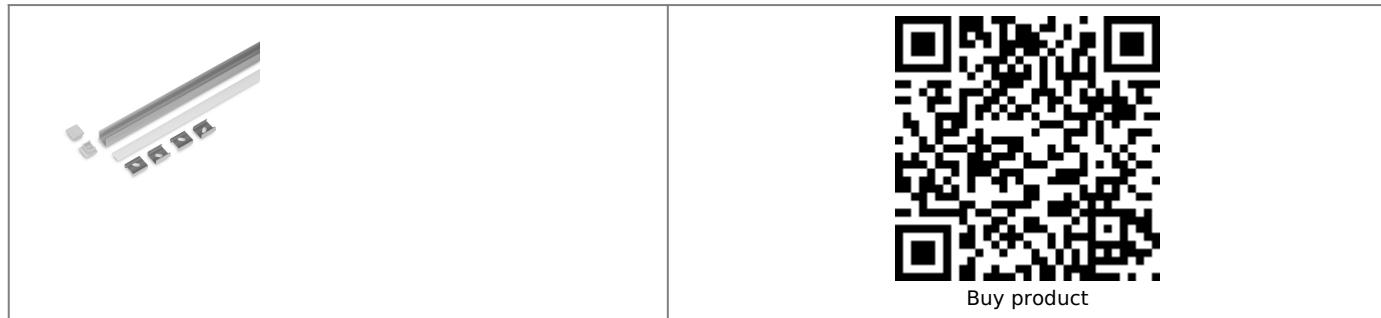
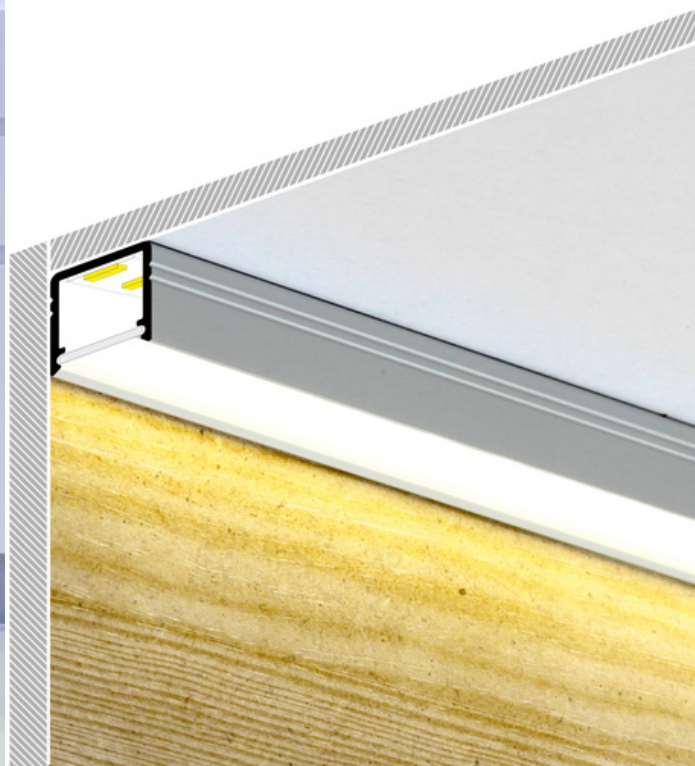


SET STANDARD SMART10 2000 ANOD. + C2 CLICK





AVAILABLE VARIANTS

Matching elements
